



Ultrasonic Cleaning Transducers



#90-4040



28kHz Cleaning Transducer

FEATURES

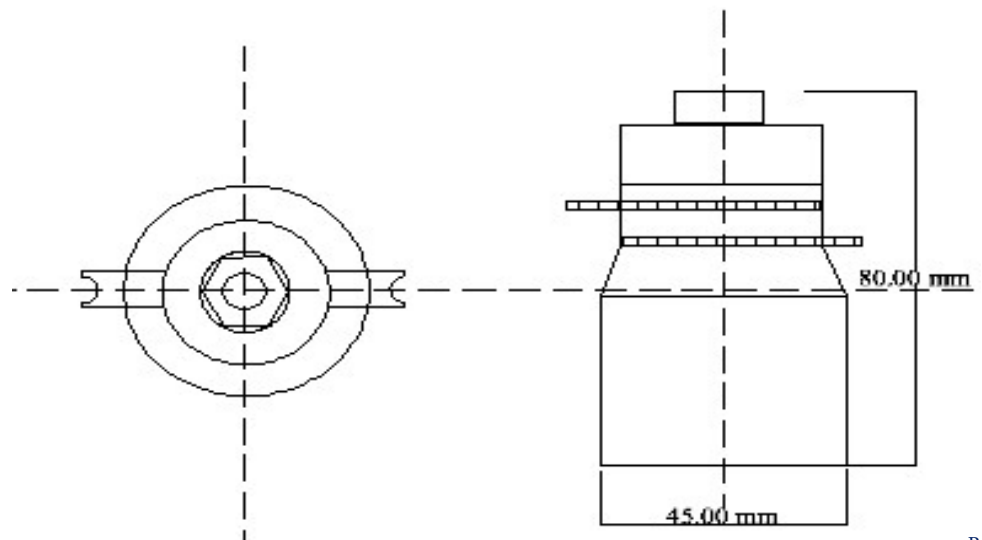
- High Efficiency
- Large Amplitude
- Low Heat
- Stable Output Regardless of Load

APPLICATIONS

- Ultrasonic Cleaning Apparatus
- Ultrasonic Jewelry Cleaner

TECHNICAL SPECIFICATIONS

Operating Frequency	28kHz
Capacitance	3.8nF
Impedance	50 max.
Mechanical Q (Qm1)	800 min.
Power	50 watts
Coupling Factor (kp)	55% min.
Major OD	45mm
Overall Length	80mm
Model	DAT-28



Rev. 4/25/14