

Technical Data

Input / output:	BNC sockets
Output circuit:	DC coupled; Impedance approx. 100 Ω
Dynamic range:	± 10 V
Constant current source:	3.8 .. 5.6 mA, compliance voltage >24 V
ICP® sensor indicator:	Bicolor LED: off = open input; yellow = 1 .. 24 V = OK; red = shorted
Gain ranges:	1 / 10 / 100 ± 1 % typically; ± 2 % maximum
Output noise:	< 1 mV _{rms} with 50 kHz low pass; < 6 mV with filter switched off
Frequency range (-3 dB):	0.1 Hz .. 100 kHz
Low pass filter:	Plug-in module FB2...; Butterworth, 4 th order; attenuation > 70 dB/decade available frequencies (-3 dB): FB2 - 0.1 / 0.3 / 1 / 3 / 5 / 10 / 30 kHz
Power supply:	U _S = 5 .. 26 VDC; < 200 mA; insulated from signal path; connected via DIN 45325 circular power connector (positive terminal at tip) or two banana plugs
Case:	Aluminum, connected to negative terminal of power supply
Accessories (standard):	2 screw-in banana plugs for power supply connection with other modules
Optional accessories:	PSS500: mains plug adapter for 100 .. 240 VAC; 12 VDC / 500 mA sufficient for one unit M32 PS1000: mains plug adapter for 100 .. 240 VAC; 12 VDC / 1000 mA sufficient for up to 3 units M32 M28+32DIN: 35 mm DIN rail adapter
Operating temperature range:	-10 .. 55 °C; 95 % relative humidity; no condensation
Weight:	170 g
Dimensions (W x H x D):	56 x 59 x 44 mm ³

Limited Warranty

Metra warrants for a period of **24 months** that its products will be free from defects in material or workmanship and shall conform to the specifications current at the time of shipment. The warranty period starts with the date of invoice. The customer must provide the dated bill of sale as evidence. The warranty period ends after 24 months. Repairs do not extend the warranty period. This limited warranty covers only defects which arise as a result of normal use according to the instruction manual. Metra's responsibility under this warranty does not apply to any improper or inadequate maintenance or modification and operation outside the product's specifications. Shipment to Metra will be paid by the customer. The repaired or replaced product will be sent back at Metra's expense.

Declaration of Conformity

CE

Product: ICP® Conditioning Module
Model: M32

It is hereby certified that the above mentioned product complies with the demands pursuant to the following standards:

- EN 50081-1
- EN 50082-1

Responsible for this declaration is the producer
Metra Mess- und Frequenztechnik
Meißner Str. 58
D-01445 Radebeul

Declared by
Manfred Weber
Radebeul, 2nd of July, 1999

Manfred Weber
Metra Mess- und Frequenztechnik in Radebeul e.K.
D-01445 Radebeul Meißner Str. 58 Internet: www.MMF.de
Tel. +49-351-836 2191 Fax +49-351-836 2940 Email: info@MMF.de



Instruction Manual ICP® Conditioning Module M32

Application

The ICP® Conditioning Module M32 is a signal conditioner for transducers with ICP® compatible output. It provides the necessary power supply for the electronic circuit of the sensor. The unit features 3 gain ranges and a plug-in low pass filter. The M32 can be used as a front end for PC based data acquisition systems. It can be combined with the ICP® Supply Module M28. The M32 is suited for both benchtop applications and DIN rail attachment in switch cabinets. The wide supply voltage range of the M32 allows power supply from external batteries, from the available mains plug adapter or from an industrial 24 VDC supply.

What is ICP®?

The abbreviation ICP® means "Integrated Circuit Piezoelectric". It has been established between many other names (e.g. Piezotron or Delatron) as industrial standard for piezoelectric transducers. The integrated circuit of the sensor transforms the charge signal of the piezo-ceramic sensing element, with its very high impedance and high EMI sensitivity, into a voltage signal with low impedance.

A special feature of the ICP® electronics is that power supply and measuring signal are transmitted via the same cable. So, an ICP® transducer requires, like a transducer with charge output, only one single-ended shielded cable. Figure 1 shows the principle circuit diagram. The integrated sensor electronics is supplied with constant current. This should not be confused with a 4-20 mA current loop. The constant current I_{const} is fed into the signal cable of the sensor. A de-coupling capacitor keeps DC components away from the signal conditioning circuit. The constant current supply and de-coupling capacitor are part of the M32.

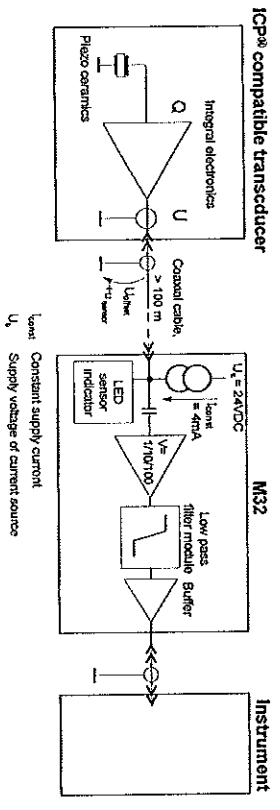


Figure 1: ICP® principle and functional diagram of the M32

By supplying the sensor with constant current a positive DC offset voltage arises at the sensor output. This DC voltage depends on the manufacturer and reaches 5 V₀ to 14 V. Round this bias voltage to the measuring signal of the transducer may oscillate. The output voltage of the transducer never changes to the negative values. Its minimum value is the saturation voltage of the integrated electronics (about 1V). The maximum value of the output voltage is limited by the supply voltage of the constant current source (24 VDC with the M32). Figure 2 shows the dynamic range of the transducer. The output of the M32 is free of DC components. It provides the unaltered AC sensor output signal.

ICP® is a registered trade mark of PCB Piezotronics Inc.

case can be used for power supply. Their polarity is shown in Figure 3. A green „Power“ LED indicates the connected supply voltage.

The M32 is protected against false polarization and line transients up to 60 V. Insulation between power supply and measuring signal is provided.

A supply voltage of 24 VDC for the constant current source is internally generated. This voltage is sufficient for an optimal dynamic range with all available ICP® compatible transducers. The constant current of the M28 is approximately 4 mA.

An LED sensor status indicator informs the user of the following conditions: (compare Figure 2):

- LED off: No sensor connected or sensor circuit interrupted.
- LED yellow: Sensor connected properly with bias voltage between 1 and 24 VDC.
- LED red: Input shorted, voltage below 1 VDC.

The gain of the M32 can be selected by a rotary switch between 1, 10 and 100.

The M32 is suited for measurements with piezoelectric transducers from 0.1 Hz to 50 kHz. Thus seismic measurements at low frequencies with accelerometers or quasi static pressure and force measurements can be performed. Also shock measurements involving high frequencies and amplitudes are possible with the M32.

The M32 has a replaceable low pass filter module type FB2-... with 4th order Butterworth characteristics. Metra offers a variety of filter modules with cut-off frequencies between 100 Hz and 50 kHz. By unscrewing the rear panel and sliding it off the filter module becomes visible (Figure 5). Before replacing the filter, the power supply must be unplugged. Please make sure that the marking "Pin 1" is in the same position as the marking on the PCB. The frequency label supplied with the filter module can be attached to the blank field at the rear panel.

The M32 is well suited for 35 mm DIN rail attachment. For this purpose the adapter M28-32DIN is available. The adapter base is mounted on the M52 by 2 screws M2.5. Two tapped holes are provided at the rear of the instrument. As second step the DIN rail bracket is attached by one screw M3.

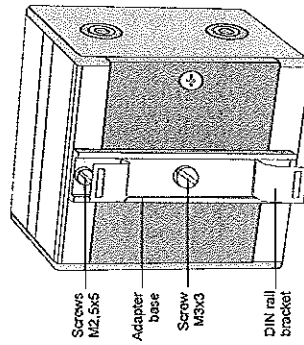


Figure 4: DIN rail adapter M28-32DIN

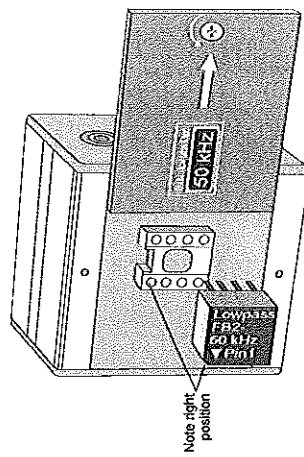


Figure 5: Replacing the filter module

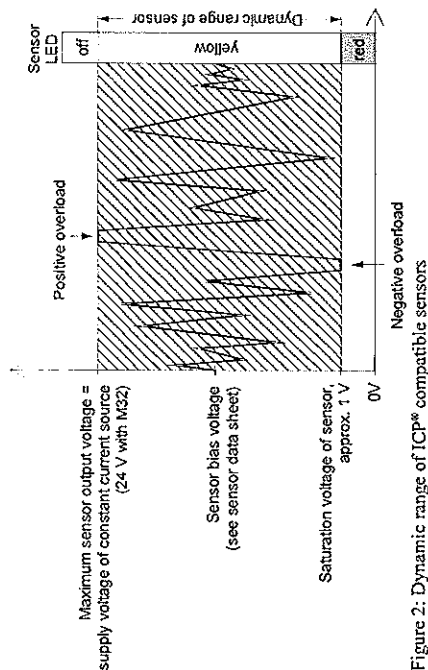


Figure 2: Dynamic range of ICP® compatible sensors

Description

The ICP® Conditioning Module M32 (Figure 3) contains the electronic circuit for supplying one sensor. For multichannel applications additional M28 modules can be plugged into one another by means of screwed-in banana plugs at the side wall of the instrument. These plugs connect the power supply voltage to all modules.

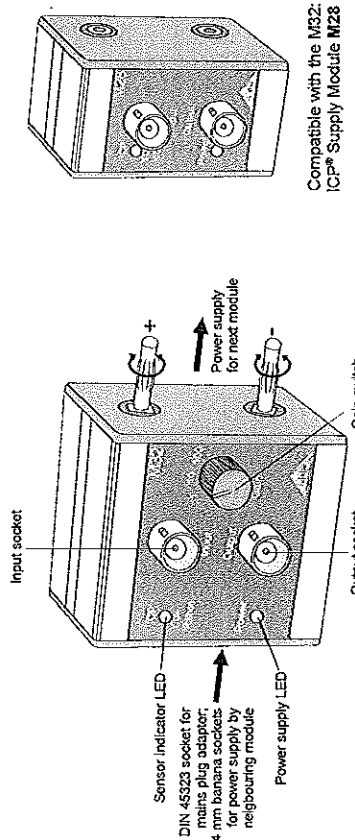


Figure 3: Functions of the M32

The M32 requires for operation a supply voltage between 5 and 26 VDC. It can be powered, for example, by:

- Industrial 24 VDC supplies
- The optionally available mains plug adapters FS500 (for one M32) and PS1000 (for up to 3 units M32)
- Batteries with more than 5 VDC
- PC voltage (5 or 12 VDC)

The operating voltage is connected via a circular power connector to DIN 45323 on the left side of the M32. The tip (inner conductor) is the positive terminal. Alternatively the two banana sockets on the left side of the